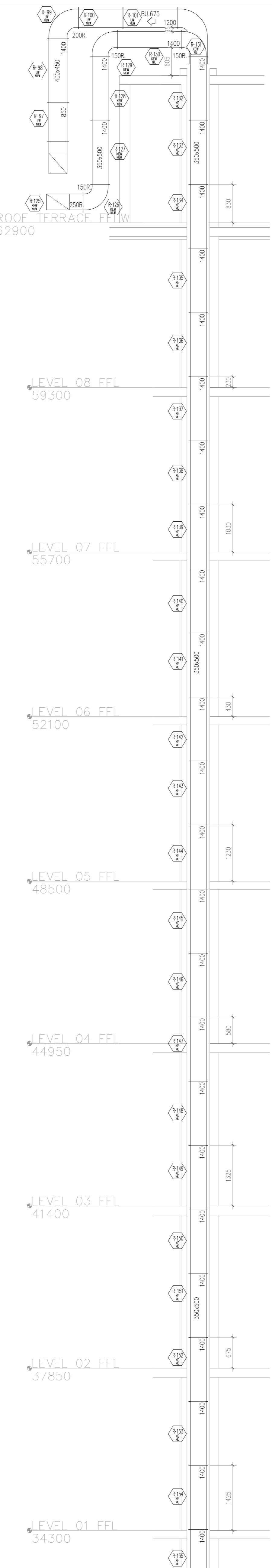
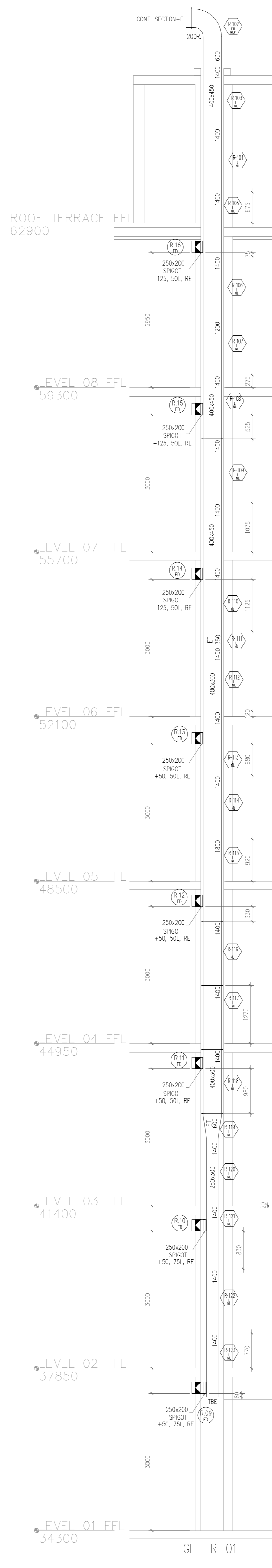


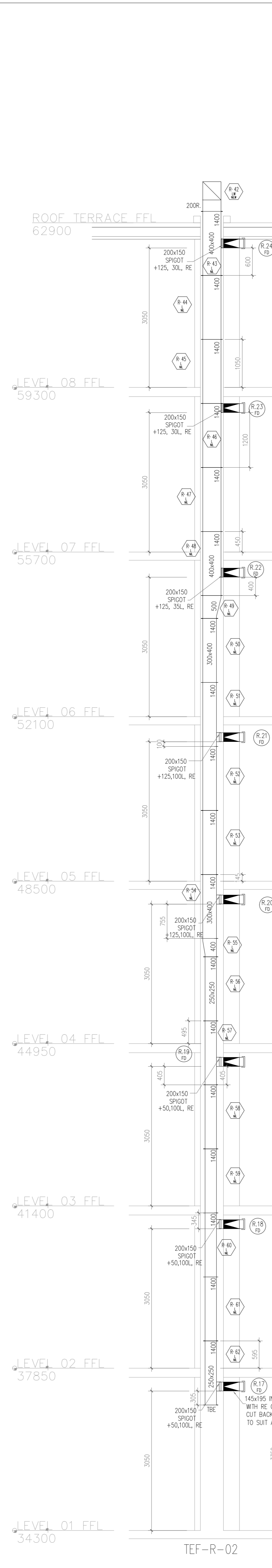
SECTION B R-001



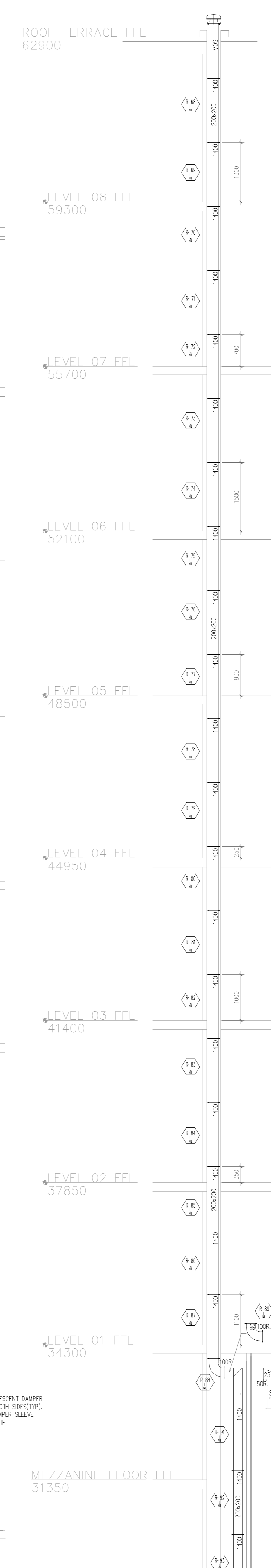
SECTION E R-001



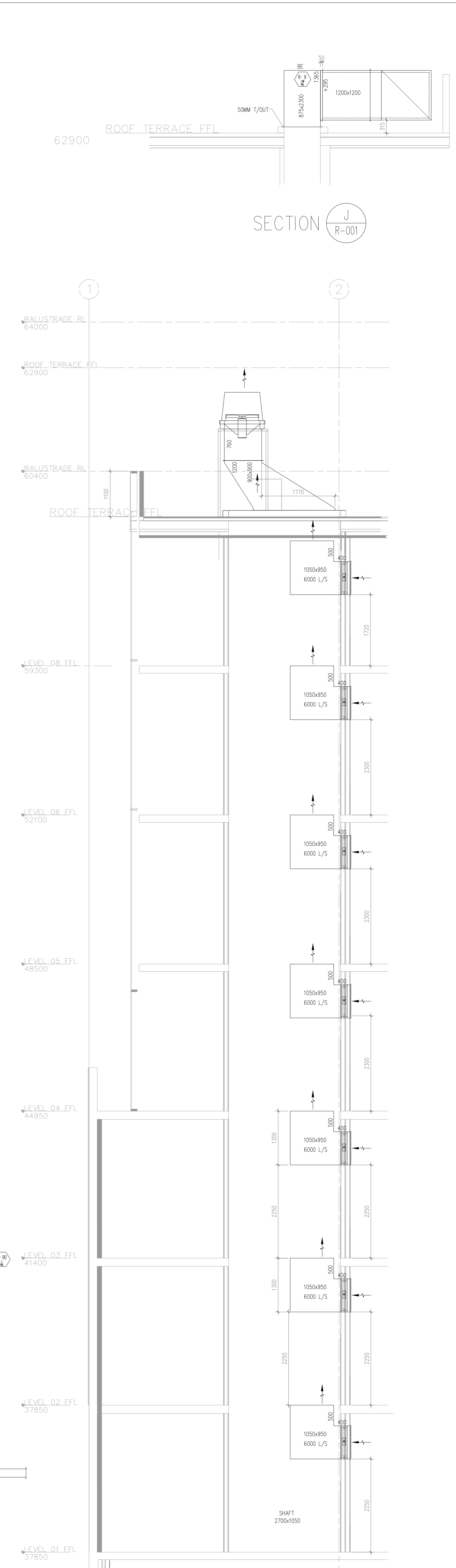
SECTION F R-001



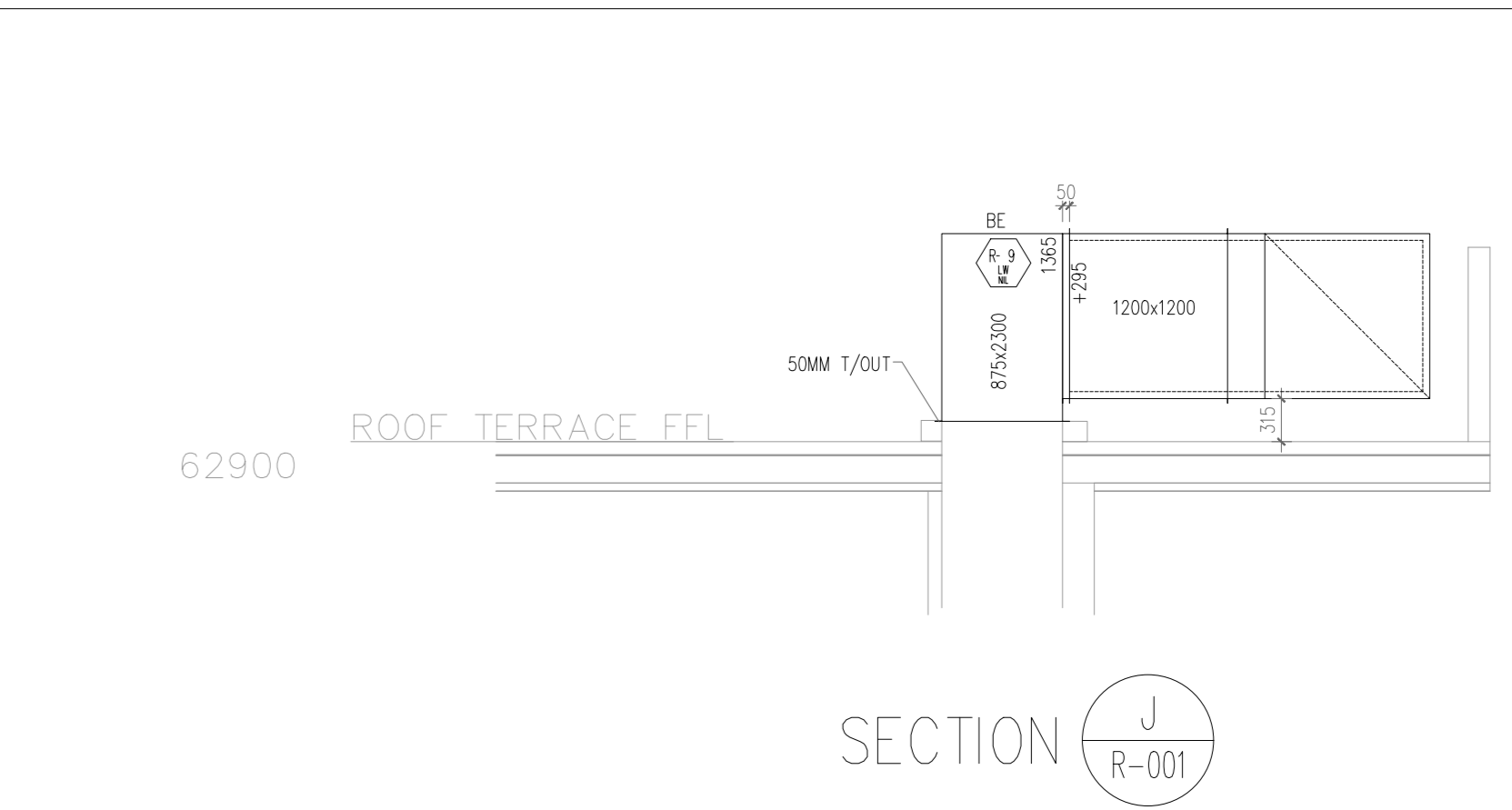
SECTION G R-001



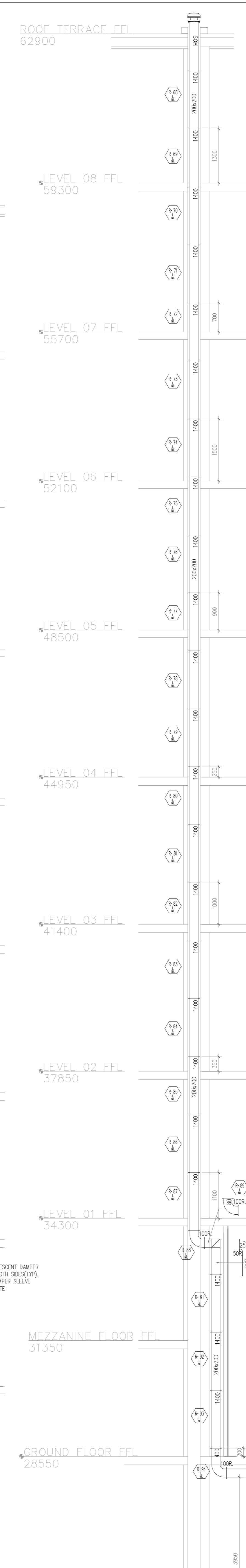
SECTION H R-001



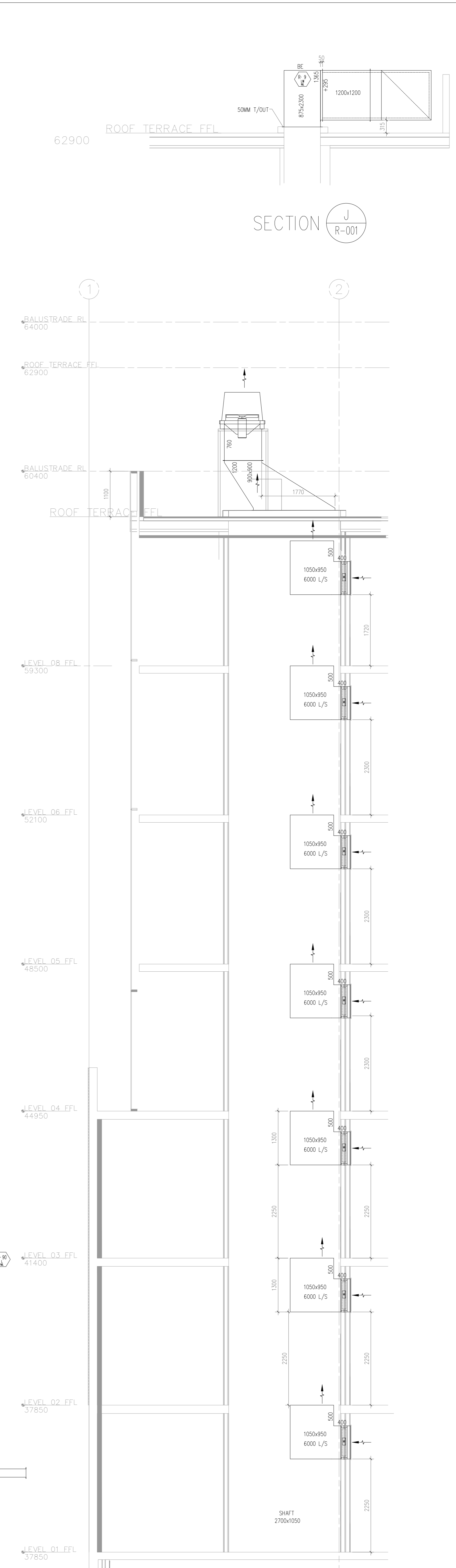
SECTION K R-001



SECTION J R-001



SECTION REF-R-001



SECTION BREF-R-001